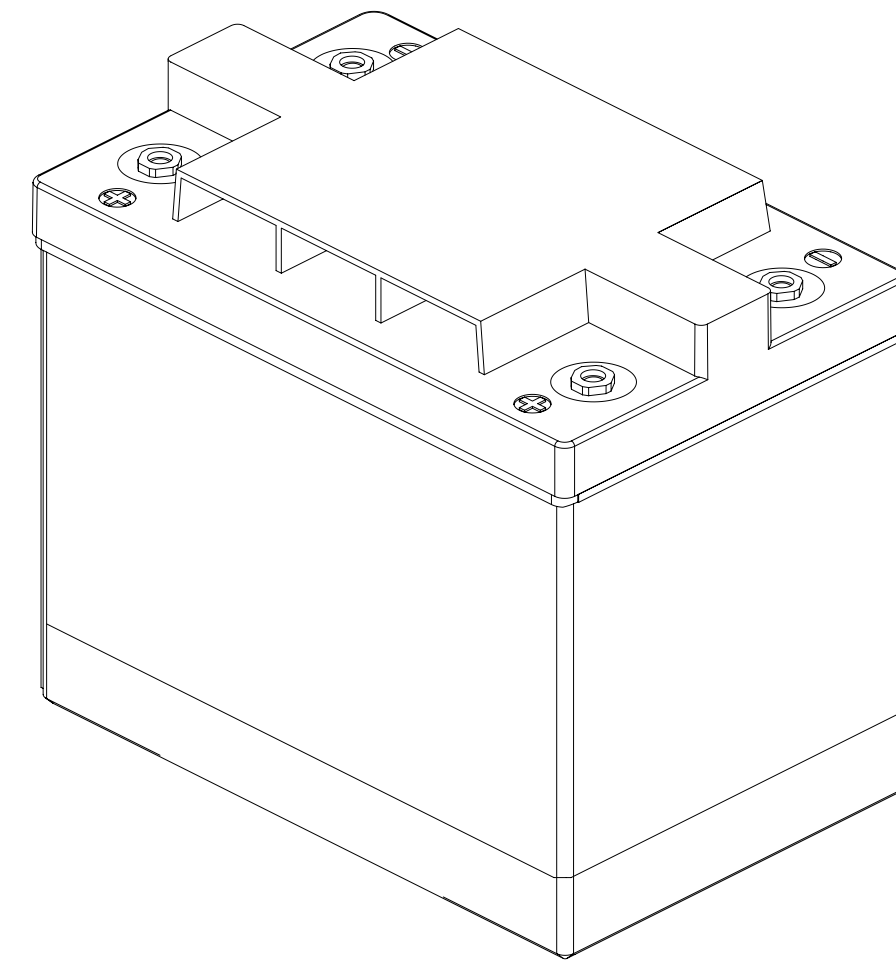
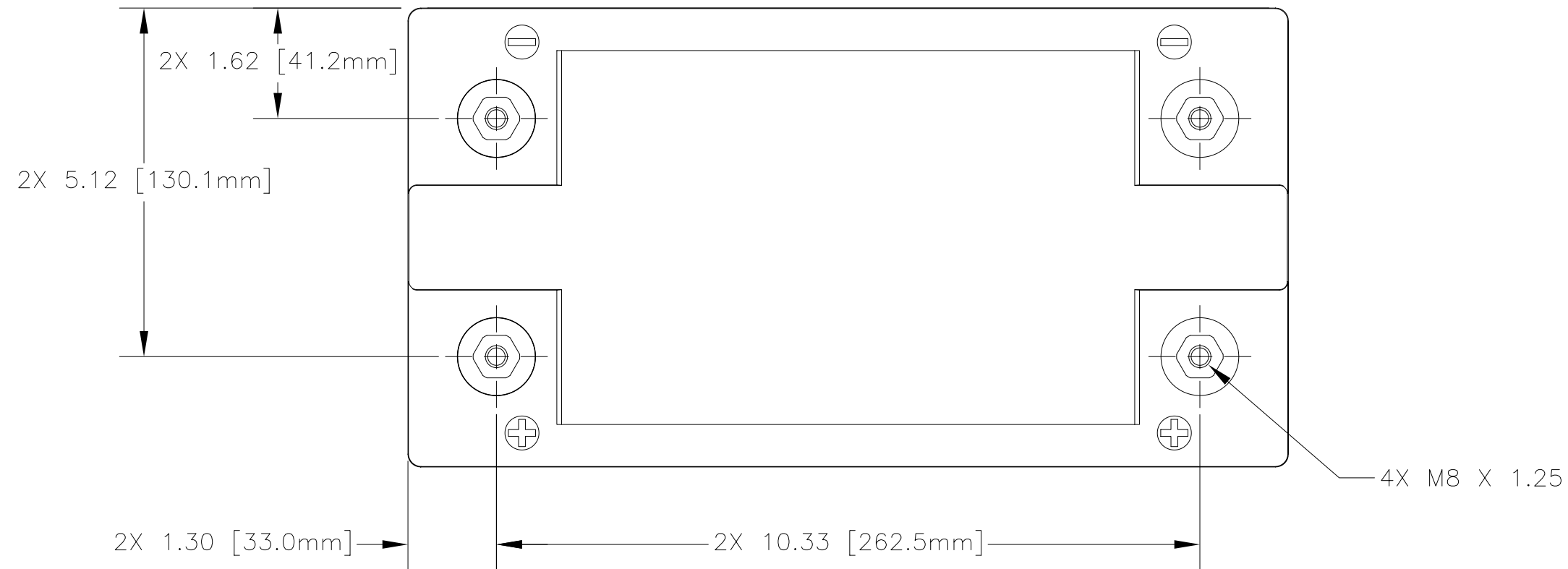


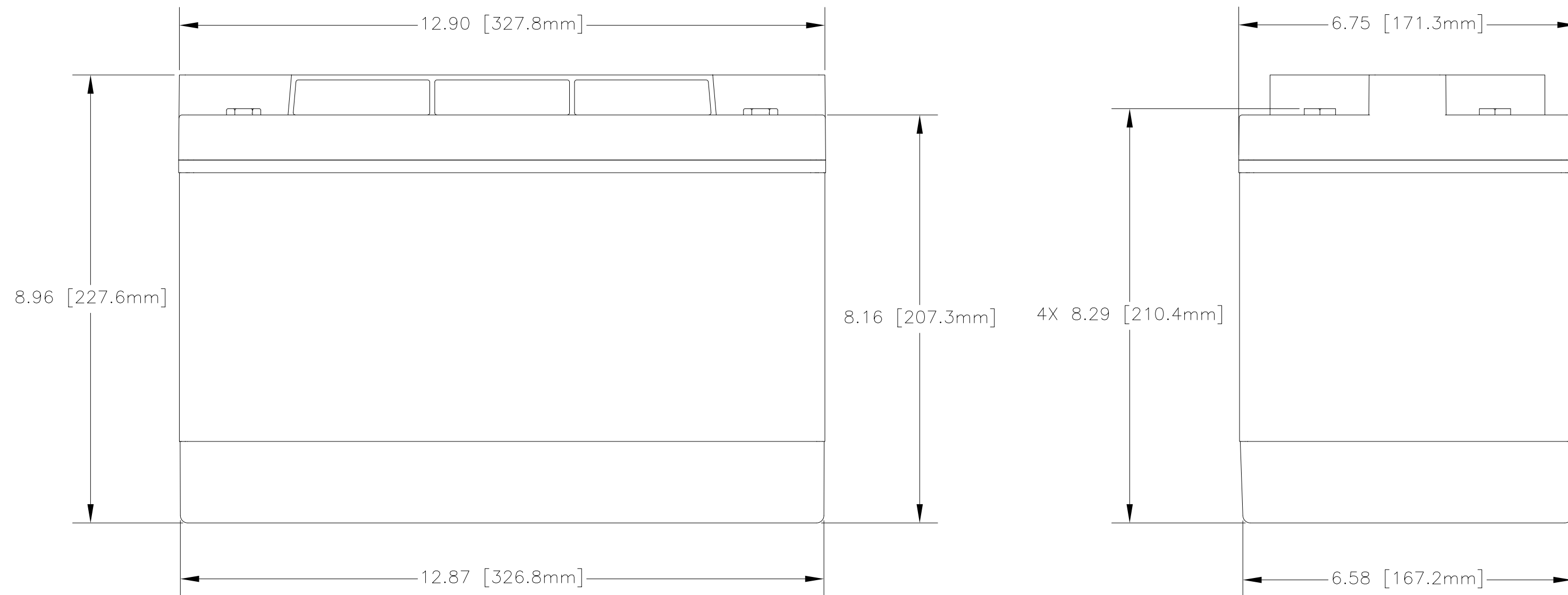
NOTES: UNLESS OTHERWISE SPECIFIED

1. SEE DRAWING NO. CB-00292 AND PROCEDURE P-1000 FOR ASSEMBLY AND TEST INSTRUCTION. PROCEDURES AND ASSEMBLY DRAWINGS ARE FOR INTERNAL USE ONLY.
2. ALL TESTING ARE IAW BATTERY COUNCIL INTERNATIONAL STANDARDS.
3. ALL DIMENSIONS ARE IN INCHES [MM].
4. ABBREVIATION USED IN TITLE IS: SEALED LEAD ACID (SLA).

REVISIONS			
REV	DESCRIPTION	DATE	APPROVED
A	REMOVED TERMINAL PROTECTORS	8/30/06	JBT



REFERENCE VIEW



ENVELOPE DRAWING

CAPACITY RATE		
PART NUMBER	PVX-5340T	PVX-6480T
NOMINAL WEIGHT	62 LBS [28.2 KG]	70 LBS [31.8 KG]
AMPERE HOUR CAPACITY @ 24 HOUR 1.75 VOLTS/CELL @ 77°F (25°C)	534 AH	648 AH

QTY REQD	CAGE CODE	PART OR IDENTIFYING NO.	NOMENCLATURE OR DESCRIPTION	MATERIAL SPECIFICATION	ITEM NO.
PARTS LIST					
UNLESS OTHERWISE SPECIFIED DIMENSIONS ARE IN INCHES TOLERANCES ARE:			CONCORDE BATTERY CORPORATION 2009 SAN BERNARDINO RD, W. COVINA, CA 91790		
FRACTIONS DECIMALS ANGLES ± 1/32 .XX ± .06 ± 1° .XXX ± .030			TITLE BATTERY, SLA, 2 VOLT, PVX-6480T SERIES		
TREATMENT NONE		APPROVALS	DATE	SIZE	CAGE CODE
FINISH NONE		DRAWN ELH	8/13/01	C	63017
SIMILAR TO NA		CHECKED HRF	8/21/01	DWG NO.	PVX-6480T
ACT WT NA		APPROVED JBT	8/23/01	REV	A
CALC WT NA		ISSUED NS	9/5/06	SCALE	NONE
				SHEET	1 OF 1

ENGINEERING COPY 05SEP06